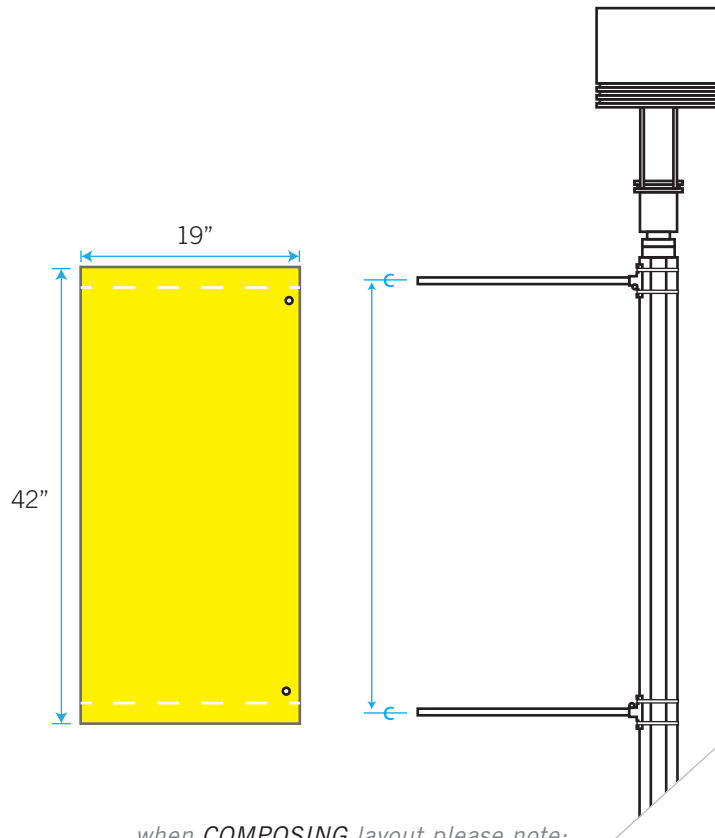


Designing for **SDSU POLE BANNERS**

Summer 2014

San Diego State University · Department of Facilities Planning, Design & Construction · © 2014 Facilities Graphics

SPECS.

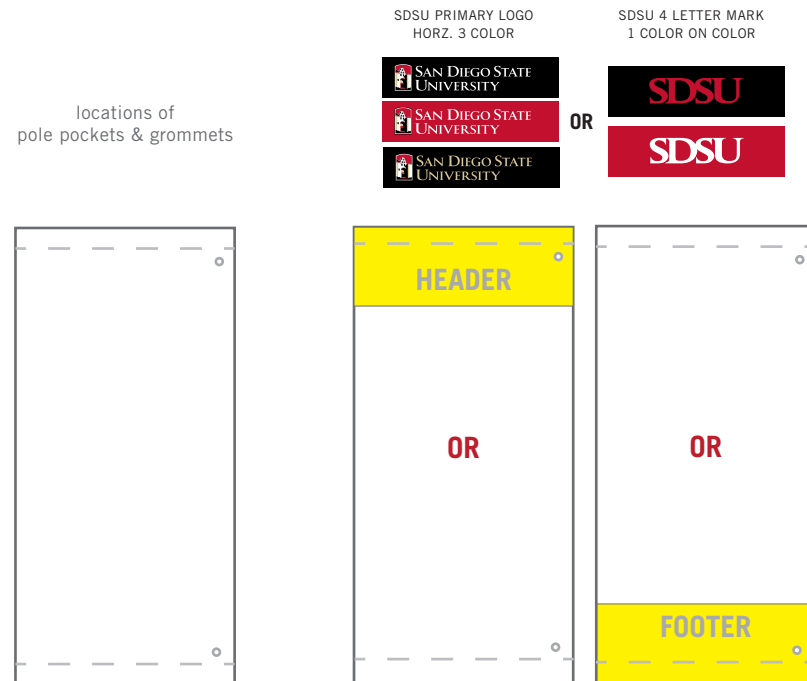


when *COMPOSING* layout please note:

- * image and type overrun on pole pockets
- * grommets locations
- * all banners are double sided

LAYOUT RECOMENDATIONS

suggested University Logo, treatment & placement usage



when *DESIGNING* banner art please note:

- * suggested use of University Logo Header or Footer
- * white backgrounds are not recommended
- * limit amount of type and image(s)
- * type smaller than 3/4" cap height won't read well
- * specs, pole pocket and grommet locations